

1-90 Series End Mount

NEMA Frame Sizes 324TC through 405TC

Torque Ratings: 25 to 175 lb. ft.



RoHS Compliance upon request- can be constructed to meet the requirements of the Restriction of Hazardous Substances Directive

Specifications:

Reaction Time:	20-25 milliseconds (release and set)
AK:	12.5" Register
AJ:	11.00" Bolt Circle
Maximum RPM:	2400

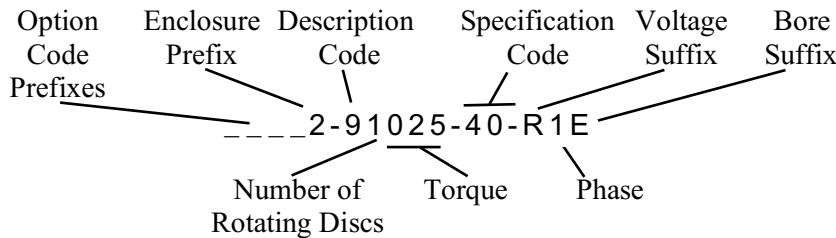
Design Features:

- Direct acting design with no linkages to break
- One moving part for longer life
- Torque adjustable for specific applications
- Splined hub
- Coil insulation: Class B Standard, Class H Optional
- Spring set, electrically released
- Lead wires for conduit connections (internal connection available)
- Manual release, automatic reset
- CSA Approved File #LR13814

Enclosure Types:

- ◆Dripproof Enclosure (Model 2-90000-40)
 - ◆NEMA 2, CSA 2, IP41
 - ◆Cast iron cover with cast iron bracket
 - ◆Also available with cast aluminum cover
- ◆Waterproof/Dusttight Enclosure (Model 4-90000-41)
 - (Model 6-90000-42 without hub seal for non-TEFC applications)
 - ◆NEMA 4, CSA 4, IP56
 - ◆Cast iron cover, bracket, & adaptor

Brake Model Number Description



Standard Voltages (single and three phase):	
Suffix	Voltage
Y	110/220V, 50Hz
U	230/460V, 60 Hz or 190/380V, 50 Hz
R	115/230V, 60 Hz
T	220/440V, 60 Hz
P	575V, 60 Hz

Special voltages available.

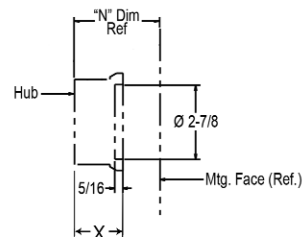
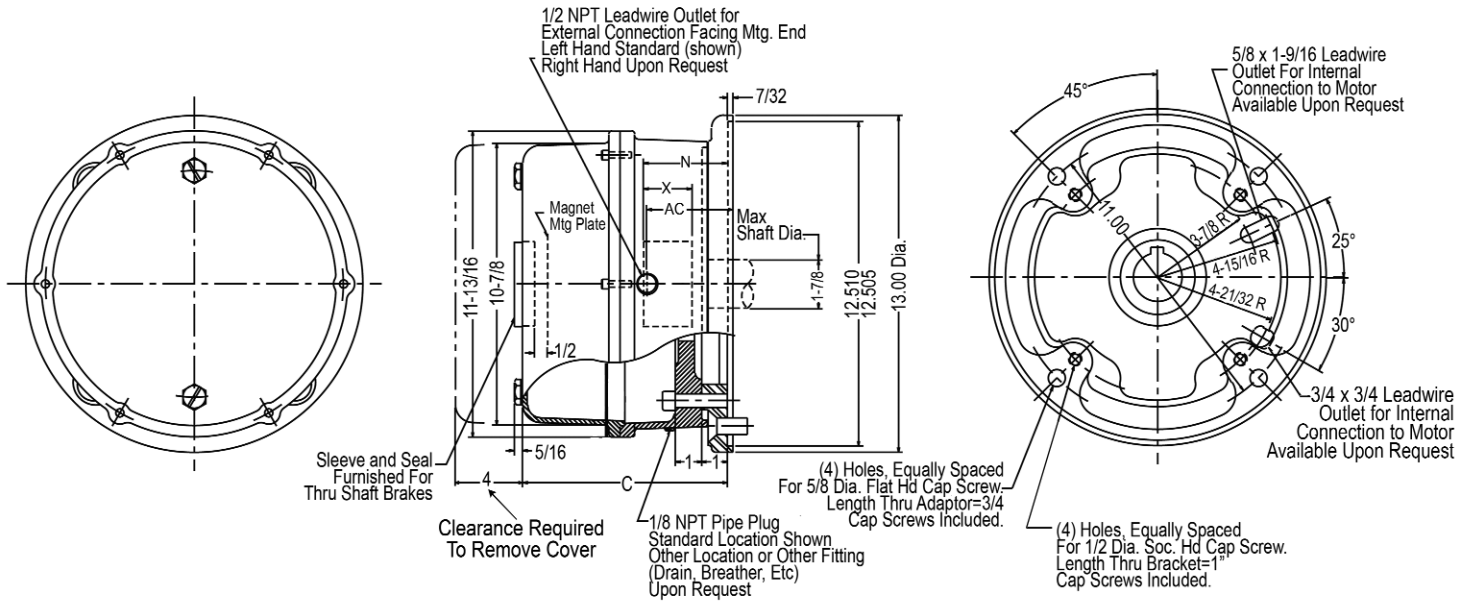
Standard Hub Bore Sizes:		
Suffix	Size	Keyway
F	7/8"	3/16" x 3/32"
H	1 1/8"	1/4" x 1/8"
J	1 1/4"	1/4" x 1/8"
K	1 3/8"	5/16" x 5/32"
M	1 5/8"	3/8" x 3/16"
N	1 7/8"	1/2" x 1/4"

Special bore sizes available.

Available Options:	Prefix
Ductile Iron Stationary Disc	E
Heavy-Duty Rotating Friction Disc with Hardened Steel Hub	H
High Tensile Studs	J
Marine Duty	M
Harsh Environment Protection	N
Tropical Protection	P
Internal Space Heater	R
Stainless Steel Stationary Disc	S
Through Shaft	T
Class H Insulation	Q
Vertical Mounting	
Vertical Over, or above motor	VO
Vertical Under, or below motor	VU
Micro-Switch Warning	XS

Refer to pages 26-30 for option descriptions and pricing.

Torque lb.ft.	Model #	Instruction and Parts Manual	Enclosure	Construction	Wt. Lbs.	Thermal Capacity HPS/Min	Inertia WK ² Lb-Ft ²	Dimensions				List Price
								C	N ± 1/32	X	AC	
25	2-91025-40	BK4691	NEMA 2	Cast Iron	87	15	0.084	7.31	2.75	1.00	2.72	\$1,925
	4-91025-41	BK4692	NEMA 4	Cast Iron	88	15	0.095	7.38	2.75	1.31	2.72	\$2,525
35	2-91035-40	BK4691	NEMA 2	Cast Iron	87	15	0.084	7.31	2.75	1.00	2.72	\$2,075
	4-91035-41	BK4692	NEMA 4	Cast Iron	88	15	0.095	7.38	2.75	1.31	2.72	\$2,675
50	2-92050-40	BK4691	NEMA 2	Cast Iron	95	17	0.158	7.94	3.25	1.50	3.34	\$2,375
	4-92050-41	BK4692	NEMA 4	Cast Iron	96	17	0.169	8.00	3.25	1.81	3.34	\$2,975
70	2-92070-40	BK4691	NEMA 2	Cast Iron	95	17	0.158	7.94	3.25	1.50	3.34	\$2,775
	4-92070-41	BK4692	NEMA 4	Cast Iron	96	17	0.169	8.00	3.25	1.81	3.34	\$3,400
75	2-93075-40	BK4691	NEMA 2	Cast Iron	100	19	0.233	8.56	3.75	2.00	3.97	\$2,875
	4-93075-41	BK4692	NEMA 4	Cast Iron	101	19	0.244	8.63	3.75	2.31	3.97	\$3,475
105	2-93105-40	BK4691	NEMA 2	Cast Iron	100	19	0.233	8.56	3.75	2.00	3.97	\$3,575
	4-93105-41	BK4692	NEMA 4	Cast Iron	101	19	0.244	8.63	3.75	2.31	3.97	\$4,175
125	2-94125-40	BK4691	NEMA 2	Cast Iron	105	21	0.307	9.19	4.25	2.50	4.60	\$4,800
	4-94125-41	BK4692	NEMA 4	Cast Iron	106	21	0.318	9.25	4.25	2.81	4.60	\$6,250
175	2-95175-40	BK4691	NEMA 2	Cast Iron	111	21	0.384	9.81	4.87	3.12	5.22	\$5,150
	4-95175-41	BK4692	NEMA 4	Cast Iron	112	21	0.395	9.88	4.87	3.44	5.22	\$6,600



NEMA 4 hub with seal