

70 Series End Mount

8700 Style

NEMA Frame Sizes 182TC through 256TC/UC

Torque Ratings: 10 to 105 lb-ft

Dripproof NEMA 2, CSA 2, IP43



Direct replacement for Stearns® brakes

70 Series Specifications:

Reaction Time: 20-25 milliseconds (release and set)

AK: 8.5" Register

AJ: 7.25" Bolt Circle

Maximum RPM: 3600

CSA File #LR13814

CSA APPROVAL PENDING WHERE INDICATED

Coil insulation: Class H standard

External paint: Red primer

Lead wires: Internal or conduit connections

Nameplate: Thermally printed adhesive label (pre-masked)

Instructions and Parts Manual:

Dings Standard = BK4772

Stearns Replacement = BK4772S

Design Features:

RoHS compliant

No disassembly required for mounting

Direct acting design with no linkages to break

Torque adjustable for specific applications

External manual release with automatic reset

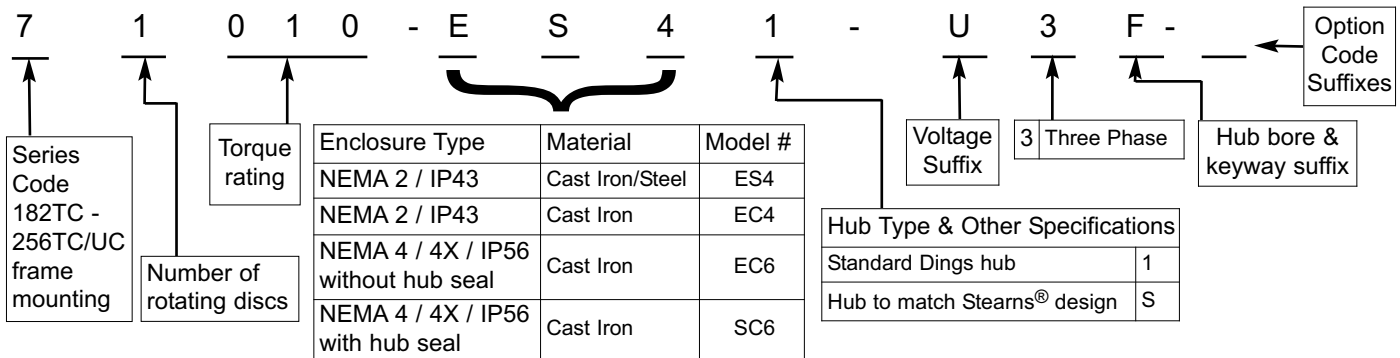
One moving part for longer life

Splined hub

Spring set, electrically released

All position brake available

Brake Model Number Definition



Standard Voltages

(Three phase only - consult factory for single phase):

Suffix Voltage

Y	110/220V, 50Hz
U	230/460V, 60 Hz or 190/380V, 50 Hz
5	208-230/460V, 60 Hz
R	115/230V, 60 Hz
1	115/208-230V, 60 Hz
T	220/440V, 60 Hz
P	575V, 60 Hz

Special voltages available.

Standard Hub Bore Sizes:

Suffix	Size	Keyway
F	7/8"	3/16" x 3/32"
H	1 1/8"	1/4" x 1/8"
J	1 1/4"	1/4" x 1/8"
K	1 3/8"	5/16" x 5/32"
M	1 5/8"	3/8" x 3/16"

Special bore sizes available.

Available Options:

Available Options:	Suffix
Adapter to Larger Frame Size(s)	A
Reverse Adapter	AB
Foot Mounting Bracket	F
Heavy-Duty Rotating Friction Disc	H
Marine/Maritime Duty with MIL-SPEC paint per TT-P-645 & MIL-DTL-15090	M
Marine/Maritime Duty	N
Tropical Protection	P
Internal Space Heater	R
Stainless Steel Stationary Disc	S
Through Shaft	T
Vertical Mounting, over motor	VO
Vertical Mounting, under motor	VU
Micro-Switch Warning	XS

Refer to pages 53-58 for option descriptions & pricing.

NEMA 2 / IP43 Enclosure DINGS STANDARD

Torque lb-ft	Model # Dings Standard	Replaces Dings 2-post Brake Models	Replaces Dings 4-post Brake Models	Construction	Weight lbs.	Thermal Capacity HPS/Min	Inertia WK ² Lb-Ft ²	Dimensions in inches				List Price
								C	N Hub Location	X Hub Length	AC	
10	71010-ES41	6-71010-96	6-71010-97	Cast Iron/Steel	30	10	.047	6.91	1.50	1.00	1.13	\$925
	71010-EC41	R71010	-	Cast Iron	41	10	.047	6.91	1.50	1.00	1.13	\$970
15	71015-ES41	6-71015-96	6-71015-97	Cast Iron/Steel	30	10	.047	6.91	1.50	1.00	1.13	\$975
	71015-EC41	R71015	-	Cast Iron	41	10	.047	6.91	1.50	1.00	1.13	\$1,025
25	72025-ES41	6-72025-96	6-72025-97	Cast Iron/Steel	32	11	.075	6.91	2.00	1.50	1.13	\$1,050
	72025-EC41	R72025	-	Cast Iron	43	11	.075	6.91	2.00	1.50	1.13	\$1,100
35	72035-ES41	6-72035-96	6-72035-97	Cast Iron/Steel	32	11	.075	6.91	2.00	1.50	1.13	\$1,200
	72035-EC41	R72035	-	Cast Iron	43	11	.075	6.91	2.00	1.50	1.13	\$1,280
50	73050-ES41	6-73050-96	6-73050-97	Cast Iron/Steel	37	12	.103	7.47	2.50	2.00	1.69	\$1,500
	73050-EC41	R73050	-	Cast Iron	48	12	.103	7.47	2.50	2.00	1.69	\$1,575
75	74075-ES41	6-74075-96	6-74075-97	Cast Iron/Steel	42	13	.131	8.03	3.00	2.50	2.25	\$2,000
	74075-EC41	R74075	-	Cast Iron	53	13	.131	8.03	3.00	2.50	2.25	\$2,090
105	74105-ES41*	NEW	NEW	Cast Iron/Steel	42	13	.131	8.03	3.00	2.50	2.25	\$2,700
	74105-EC41*	NEW	NEW	Cast Iron	53	13	.131	8.03	3.00	2.50	2.25	\$2,900

*CSA approval pending

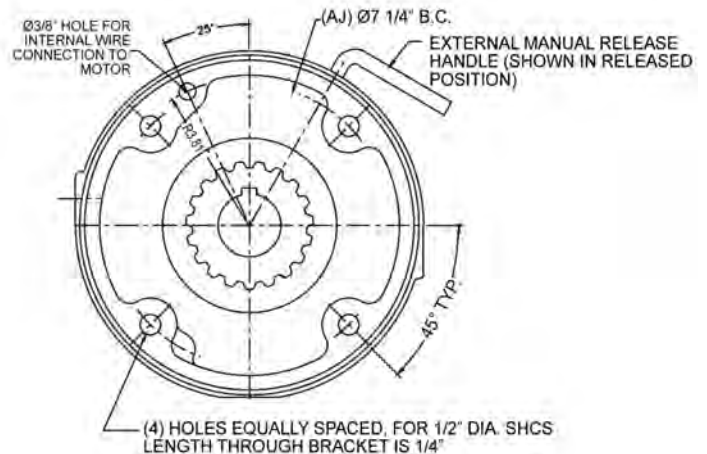
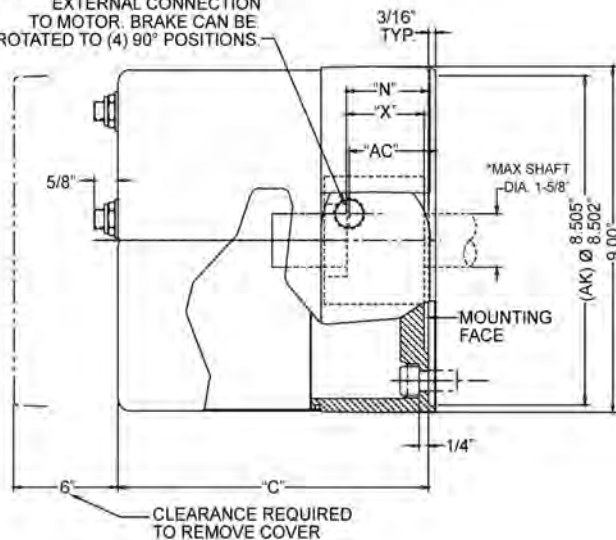
NEMA 2 / IP43 Enclosure STEARNS® REPLACEMENT

Torque lb-ft	Model # Stearns Replacement	Direct Drop-in replacement for Stearns® Model	Construction	Weight lbs.	Thermal Capacity HPS/Min	Inertia WK ² Lb-Ft ²	Dimensions in inches				List Price
							C	N Hub Location	X Hub Length	AC	
10	71010-ES4S	1-087-011-00	Cast Iron/Steel	30	10	.045	6.91	1.13	1.00	1.13	\$925
	71010-EC4S	N/A	Cast Iron	41	10	.045	6.91	1.13	1.00	1.13	\$1,065
15	71015-ES4S	1-087-021-00	Cast Iron/Steel	30	10	.045	6.91	1.13	1.00	1.13	\$975
	71015-EC4S	N/A	Cast Iron	41	10	.045	6.91	1.13	1.00	1.13	\$1,115
25	71025-ES4S*	1-087-031-00	Cast Iron/Steel	30	11	.074	6.91	1.13	1.00	1.13	\$1,050
	71025-EC4S*	N/A	Cast Iron	41	11	.074	6.91	1.13	1.00	1.13	\$1,190
35	72035-ES4S	1-087-041-00	Cast Iron/Steel	32	11	.074	6.91	1.13	1.00	1.13	\$1,200
	72035-EC4S	N/A	Cast Iron	43	11	.074	6.91	1.13	1.00	1.13	\$1,340
50	72050-ES4S*	1-087-051-00	Cast Iron/Steel	32	12	.077	6.91	1.63	1.50	1.13	\$1,500
	72050-EC4S*	N/A	Cast Iron	43	12	.077	6.91	1.63	1.50	1.13	\$1,640
75	73075-ES4S*	1-087-061-00	Cast Iron/Steel	37	13	.077	7.47	1.63	1.50	1.69	\$2,000
	73075-EC4S*	N/A	Cast Iron	48	13	.077	7.47	1.63	1.50	1.69	\$2,140
105	74105-ES4S*	1-087-081-00	Cast Iron/Steel	42	13	.136	8.03	2.13	2.00	2.25	\$2,700
	74105-EC4S*	N/A	Cast Iron	53	13	.136	8.03	2.13	2.00	2.25	\$2,840

*CSA approval pending

Stearns® is a Registered Trademark of Rexnord Corporation

1/2" NPT LEADWIRE OUTLET FOR EXTERNAL CONNECTION TO MOTOR. BRAKE CAN BE ROTATED TO (4) 90° POSITIONS.



70 Series End Mount

8700 Style

NEMA Frame Sizes 182TC through 256TC/UC

Torque Ratings: 10 to 105 lb-ft

NEMA 4 / 4X, CSA 4, IP56 without hub seal for Non-TEFC applications



Direct replacement for Stearns® brakes

NEMA 4 / 4X Non-TEFC Specifications:

Reaction Time: 20-25 milliseconds (release and set)

AK: 8.5" Register

AJ: 7.25" Bolt Circle

Maximum RPM: 3600

CSA File #LR13814

CSA APPROVAL PENDING WHERE INDICATED

Coil insulation: Class H standard

Enclosure: Cast iron

External paint: NEMA 4, Red primer

NEMA 4X, FDA approved white epoxy

Lead wires: Internal or conduit connections

Nameplate: Stamped stainless steel

Instructions and Parts Manual:

NEMA 4 = BK4773

NEMA 4X = BK4774

Design Features:

RoHS compliant

No disassembly required for mounting

Direct acting design with no linkages to break

Torque adjustable for specific applications

External manual release with automatic reset

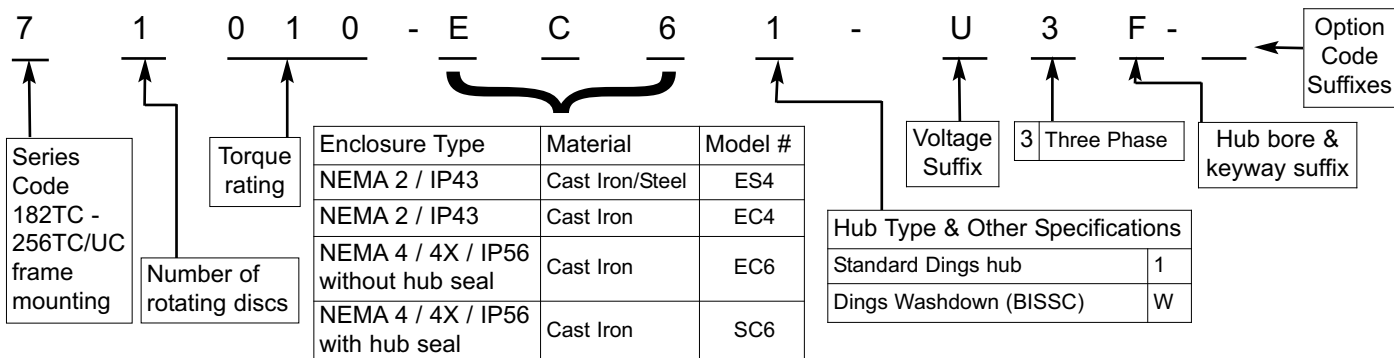
One moving part for longer life

Splined hub

Spring set, electrically released

All position brake available

Brake Model Number Definition



Standard Voltages

(Three phase only - consult factory for single phase):

Suffix Voltage

Y	110/220V, 50Hz
U	230/460V, 60 Hz or 190/380V, 50 Hz
5	208-230/460V, 60 Hz
R	115/230V, 60 Hz
1	115/208-230V, 60 Hz
T	220/440V, 60 Hz
P	575V, 60 Hz

Special voltages available.

Standard Hub Bore Sizes:

Suffix	Size	Keyway
F	7/8"	3/16" x 3/32"
H	1 1/8"	1/4" x 1/8"
J	1 1/4"	1/4" x 1/8"
K	1 3/8"	5/16" x 5/32"
M	1 5/8"	3/8" x 3/16"

Special bore sizes available.

Available Options:

Adapter to Larger Frame Size(s)	A
Reverse Adapter	AB
Foot Mounting Bracket	F
Heavy-Duty Rotating Friction Disc	H
Marine/Maritime Duty with MIL-SPEC paint per TT-P-645 & MIL-DTL-15090	M
Marine/Maritime Duty	N
Tropical Protection	P
Internal Space Heater	R
Stainless Steel Stationary Disc	S
Through Shaft	T
Vertical Mounting, over motor	VO
Vertical Mounting, under motor	VU
Micro-Switch Warning	XS

Refer to pages 53-58 for option descriptions & pricing.

NEMA 4 / IP56 Enclosure *without hub seal* for non-TEFC applications

Cast Iron Construction

Torque lb-ft	Model # Dings Standard	Replaces Dings 2-post Brake Models	Replaces Dings 4-post Brake Models	Weight lbs.	Thermal Capacity HPS/Min	Dimensions in inches					List Price
						Inertia WK ² Lb-Ft ²	C	N Hub Location	X Hub Length	AC	
10	71010-EC61	R71010-37	6-71010-58	41	10	.047	6.91	1.50	1.00	1.13	\$1,445
15	71015-EC61	R71015-37	6-71015-58	41	10	.047	6.91	1.50	1.00	1.13	\$1,495
25	72025-EC61	R72025-37	6-72025-58	43	11	.075	6.91	2.00	1.50	1.13	\$1,570
35	72035-EC61	R72035-37	6-72035-58	43	11	.075	6.91	2.00	1.50	1.13	\$1,720
50	73050-EC61	R73050-37	6-73050-58	48	12	.103	7.47	2.50	2.00	1.69	\$2,000
75	74075-EC61	R74075-37	6-74075-58	53	13	.130	8.03	3.00	2.50	2.25	\$2,500
105	74105-EC61*	NEW	NEW	53	13	.130	8.03	3.00	2.50	2.25	\$3,200

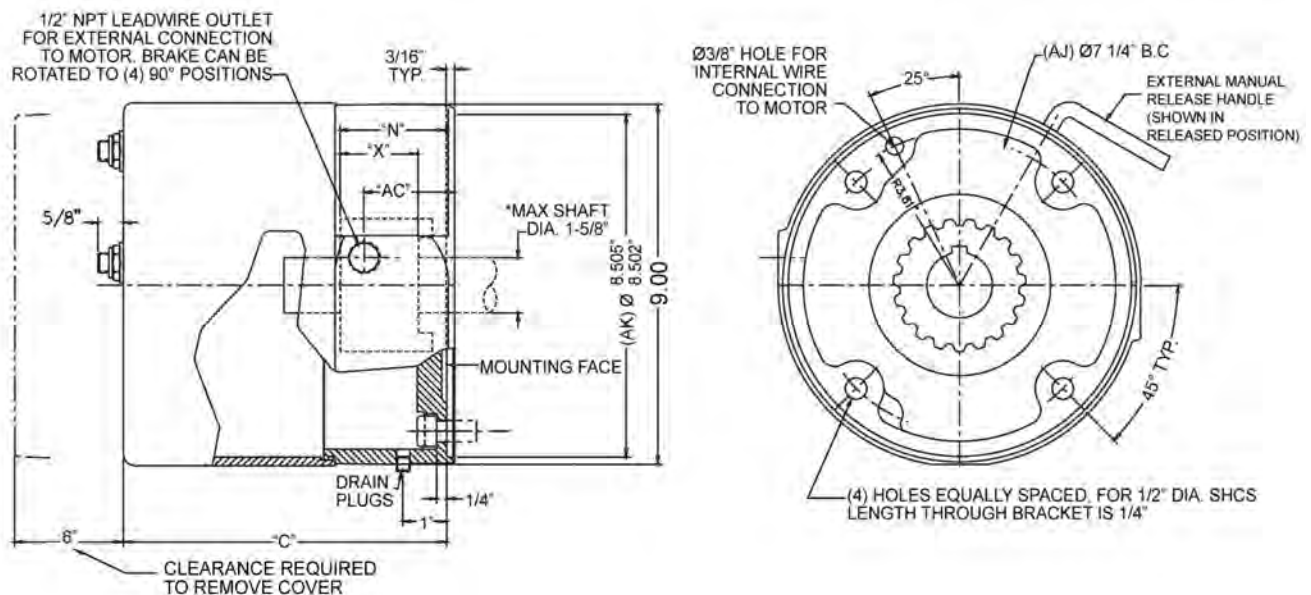
*CSA approval pending

WASHDOWN NEMA 4X / IP56 Enclosure *without hub seal* for non-TEFC applications

Cast Iron Construction

Torque lb-ft	Model # Dings Standard	Replaces Dings 2-post Brake Models	Replaces Dings 4-post Brake Models	Weight lbs.	Thermal Capacity HPS/Min	Dimensions in inches					List Price
						Inertia WK ² Lb-Ft ²	C	N Hub Location	X Hub Length	AC	
10	71010-EC6W	R71010-91	6-71010-92	41	10	.047	6.91	1.50	1.00	1.13	\$1,700
15	71015-EC6W	R71015-91	6-71015-92	41	10	.047	6.91	1.50	1.00	1.13	\$1,750
25	72025-EC6W	R72025-91	6-72025-92	43	11	.075	6.91	2.00	1.50	1.13	\$1,825
35	72035-EC6W	R72035-91	6-72035-92	43	11	.075	6.91	2.00	1.50	1.13	\$1,975
50	73050-EC6W	R73050-91	6-73050-92	48	12	.103	7.47	2.50	2.00	1.69	\$2,275
75	74075-EC6W	R74075-91	6-74075-92	53	13	.130	8.03	3.00	2.50	2.25	\$2,775
105	74105-EC6W*	NEW	NEW	53	13	.130	8.03	3.00	2.50	2.25	\$3,455

*CSA approval pending



70 Series End Mount

8700 Style

NEMA Frame Sizes 182TC through 256TC/UC

Torque Ratings: 10 to 105 lb-ft

NEMA 4, CSA 4, IP56* with hub seal for TEFC applications

*To obtain full IP56 protection, the customer shaft, hub bore, key and keyway's mating surface(s) must be sealed to meet IP56. Considerations should be reviewed to appropriately seal mounting hardware as well. Contact factory for details and/or assistance.



Direct replacement for Stearns® brakes

NEMA 4 TEFC Specifications:

Reaction Time: 20-25 milliseconds (release and set)

AK: 8.5" Register / AJ: 7.25" Bolt Circle

Maximum RPM: 3600

CSA File #LR13814

CSA APPROVAL PENDING WHERE INDICATED

Coil insulation: Class H standard

Enclosure: Cast iron

External paint: Red primer

Lead wires: Conduit connections

Nameplate: Stamped stainless steel

Instructions and Parts Manual:

Dings Standard = BK4773

Stearns Replacement = BK4773S

Design Features:

RoHS compliant

No disassembly required for mounting

Direct acting design with no linkages to break

Torque adjustable for specific applications

External manual release with automatic reset

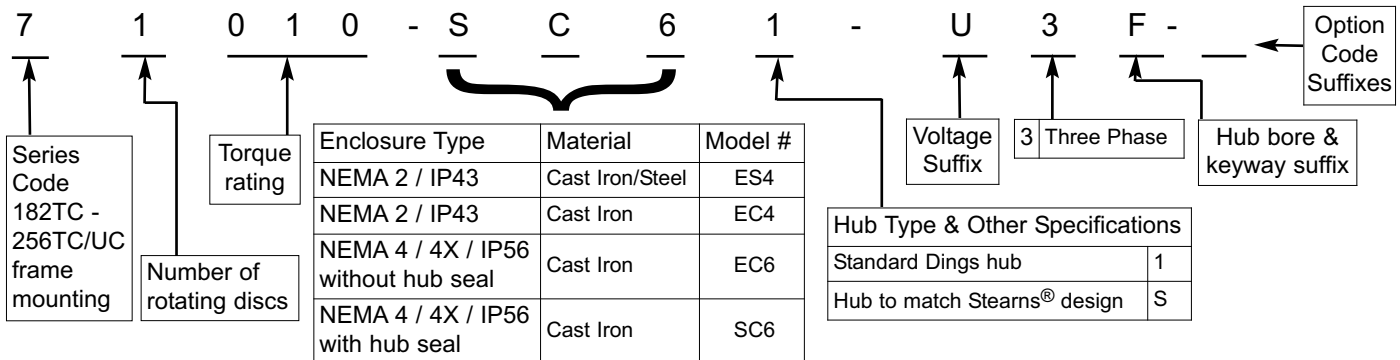
One moving part for longer life

Splined hub

Spring set, electrically released

All position brake available

Brake Model Number Definition



Standard Voltages	
(Three phase only - consult factory for single phase):	
Suffix	Voltage
Y	110/220V, 50Hz
U	230/460V, 60 Hz or 190/380V, 50 Hz
5	208-230/460V, 60 Hz
R	115/230V, 60 Hz
1	115/208-230V, 60 Hz
T	220/440V, 60 Hz
P	575V, 60 Hz
Special voltages available.	

Standard Hub Bore Sizes:		
Suffix	Size	Keyway
F	7/8"	3/16" x 3/32"
H	1 1/8"	1/4" x 1/8"
J	1 1/4"	1/4" x 1/8"
K	1 3/8"	5/16" x 5/32"
M	1 5/8"	3/8" x 3/16"
Special bore sizes available.		

Available Options:	Prefix
Adapter to Larger Frame Size(s)	A
Reverse Adapter	AB
Foot Mounting Bracket	F
Heavy-Duty Rotating Friction Disc	H
Marine/Maritime Duty with MIL-SPEC paint per TT-P-645 & MIL-DTL-15090	M
Marine/Maritime Duty	N
Tropical Protection	P
Internal Space Heater	R
Stainless Steel Stationary Disc	S
Through Shaft	T
Vertical Mounting, over motor	VO
Vertical Mounting, under motor	VU
Micro-Switch Warning	XS

Refer to pages 53-58 for option descriptions & pricing.

NEMA 4 / IP56 Enclosure with hub seal DINGS STANDARD

Cast Iron Construction

Torque lb-ft	Model # Dings Standard	Replaces Dings 2-post Brake Models	Replaces Dings 4-post Brake Models	Weight lbs.	Thermal Capacity HPS/Min	Dimensions in inches					List Price
						Inertia WK ² Lb-Ft ²	C	N Hub Location	X Hub Length	AC	
10	71010-SC61	R71010-4	6-71010-57	41	10	.047	6.91	1.50	1.00	1.13	\$1,525
15	71015-SC61	R71015-4	6-71015-57	41	10	.047	6.91	1.50	1.00	1.13	\$1,575
25	72025-SC61	R72025-4	6-72025-57	43	11	.075	6.91	2.00	1.50	1.13	\$1,650
35	72035-SC61	R72035-4	6-72035-57	43	11	.075	6.91	2.00	1.50	1.13	\$1,800
50	73050-SC61	R73050-4	6-73050-57	48	12	.103	7.47	2.50	2.00	1.69	\$2,100
75	74075-SC61	R74075-4	6-74075-57	53	13	.130	8.03	3.00	2.50	2.25	\$2,600
105	74105-SC61*	NEW	NEW	53	13	.130	8.03	3.00	2.50	2.25	\$3,300

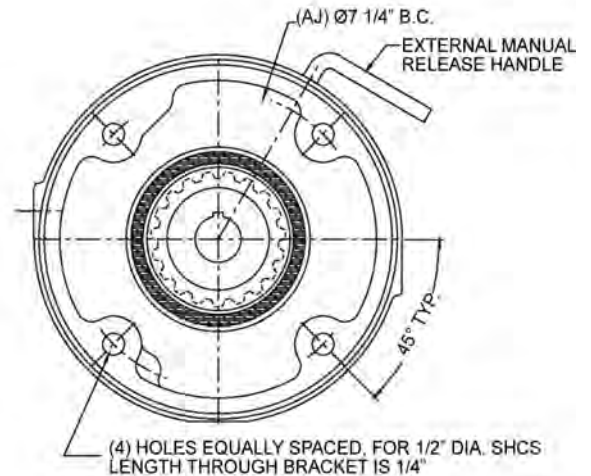
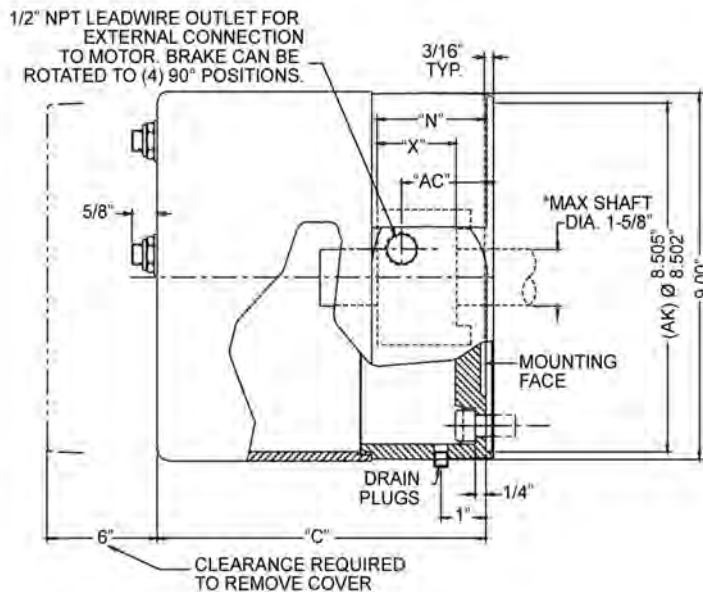
*CSA approval pending

NEMA 4 / IP56 Enclosure with hub seal STEARNS® REPLACEMENT

Cast Iron Construction

Stearns® Replacement	Torque lb-ft	Dings Model # Stearns® Replacement	Direct Drop-in replacement for Stearns® Model	Weight lbs.	Thermal Capacity HPS/Min	Inertia WK ² Lb-Ft ²	Dimensions in inches				List Price
							C	N Hub Location	X Hub Length	AC	
	10	71010-SC6S	1-087-012-00	41	10	.045	6.91	1.13	1.00	1.13	\$1,525
	15	71015-SC6S	1-087-022-00	41	10	.045	6.91	1.13	1.00	1.13	\$1,575
	25	71025-SC6S*	1-087-032-00	41	11	.045	6.91	1.13	1.00	1.13	\$1,650
	35	72035-SC6S	1-087-042-00	43	11	.074	6.91	1.13	1.00	1.13	\$1,800
	50	72050-SC6S*	1-087-052-00	43	12	.077	6.91	1.63	1.50	1.13	\$2,100
	75	73075-SC6S*	1-087-062-00	48	13	.105	7.47	1.63	1.50	1.69	\$2,600
	105	74105-SC6S*	1-087-082-00	53	13	.136	8.03	2.13	2.00	2.25	\$3,300

*CSA approval pending Stearns® is a Registered Trademark of Rexnord Corporation



WASHDOWN NEMA 4X / IP56 Enclosure with hub seal DINGS STANDARD

Cast Iron Construction

Torque lb-ft	Model # Dings Standard	Replaces Dings 2-post Brake Models	Replaces Dings 4-post Brake Models	Weight lbs.	Thermal Capacity HPS/Min	Dimensions in inches					List Price
						Inertia WK ² Lb-Ft ²	C	N Hub Location	X Hub Length	AC	
10	71010-SC6W	6-71010-93	6-71010-94	41	10	.047	6.91	1.50	1.00	1.13	\$1,780
15	71015-SC6W	6-71015-93	6-71015-94	41	10	.047	6.91	1.50	1.00	1.13	\$1,830
25	72025-SC6W	6-72025-93	6-72025-94	43	11	.047	6.91	2.00	1.50	1.13	\$1,905
35	72035-SC6W	6-72035-93	6-72035-94	43	11	.075	6.91	2.00	1.50	1.13	\$2,055
50	73050-SC6W	6-73050-93	6-73050-94	48	12	.075	7.47	2.50	2.00	1.69	\$2,355
75	74075-SC6W	6-74075-93	6-74075-94	53	13	.103	8.03	3.00	2.50	2.25	\$2,855
105	74105-SC6W*	NEW	NEW	53	13	.131	8.03	3.00	2.50	2.25	\$3,555

*CSA approval pending

WASHDOWN NEMA 4X / IP56 Enclosure with hub seal STEARNS® REPLACEMENT

Cast Iron Construction

Torque lb-ft	Dings Model # Stearns® Replacement	Direct Drop-in replacement for Stearns® Model	Weight lbs.	Thermal Capacity HPS/Min	Inertia WK ² Lb-Ft ²	Dimensions in inches				List Price
						C	N Hub Location	X Hub Length	AC	
10	71010-SC6T	1-087-012-B0	41	10	.045	6.91	1.13	1.00	1.13	\$1,780
15	71015-SC6T	1-087-022-B0	41	10	.045	6.91	1.13	1.00	1.13	\$1,830
25	71025-SC6T*	1-087-032-B0	41	11	.045	6.91	1.13	1.00	1.13	\$1,905
35	72035-SC6T	1-087-042-B0	43	11	.074	6.91	1.13	1.00	1.13	\$2,055
50	72050-SC6T*	1-087-052-B0	43	12	.077	6.91	1.63	1.50	1.13	\$2,355
75	73075-SC6T*	1-087-062-B0	48	13	.105	7.47	1.63	1.50	1.69	\$2,855
105	74105-SC6T*	1-087-082-B0	53	13	.136	8.03	2.13	2.00	2.25	\$3,555

*CSA approval pending Stearns® is a Registered Trademark of Rexnord Corporation

