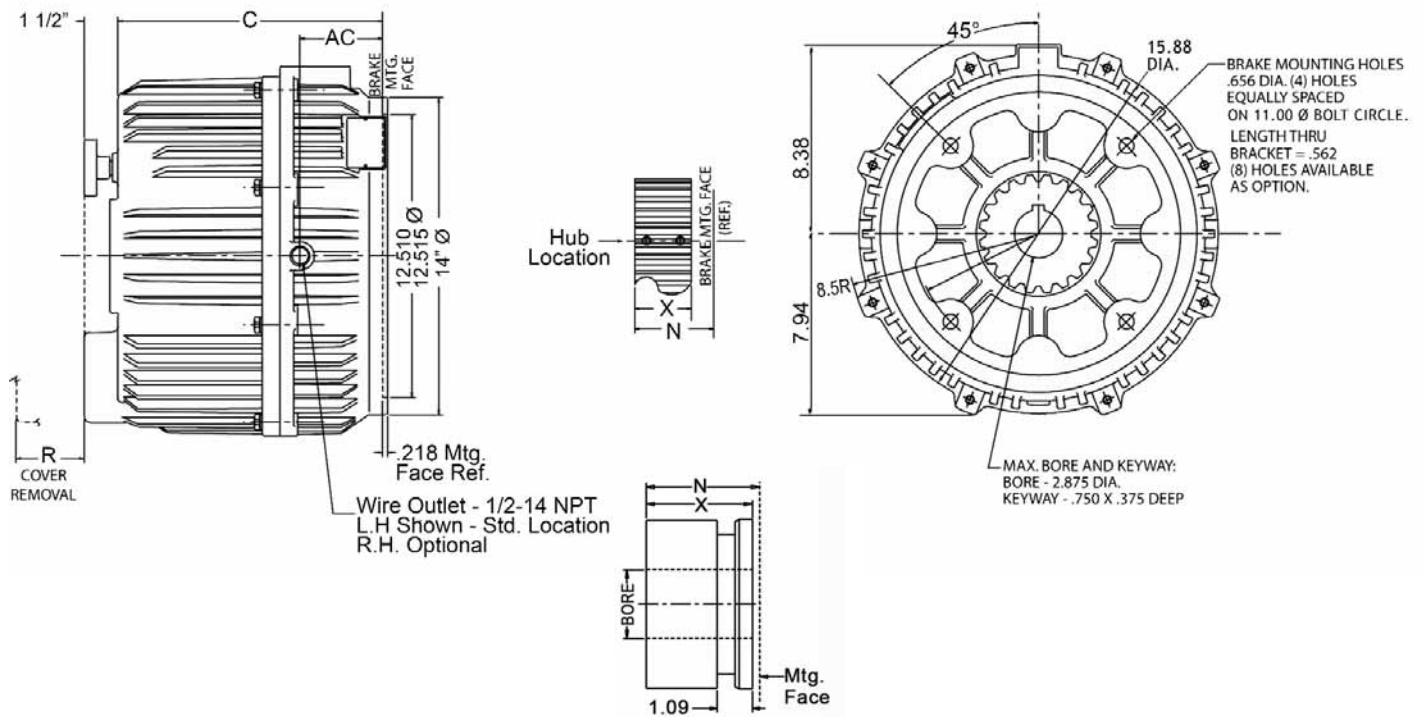


| Torque lb.ft. | Model # | Instruction and Parts Manual | Enclosure | Construction | Wt. Lbs. | Inertia WK ² Lb. Ft. ² | Dimensions | | | | |
|------------------|------------|---------------------------------|-----------|--------------|-------------|--|------------|-------|------|------|------|
| | | | | | | | R | C | N | X | AC |
| 180 | 2-92180-30 | BK4690 | NEMA 2 | Nodular Iron | 195 | 1.000 | 6.75 | 10.31 | 3.50 | 2.19 | 2.53 |
| | 4-92180-31 | BK4690 | NEMA 4 | Nodular Iron | 200 | 1.100 | 6.75 | 10.38 | 3.50 | 3.28 | 2.53 |
| 270 | 2-93270-30 | BK4690 | NEMA 2 | Nodular Iron | 205 | 1.380 | 7.50 | 10.31 | 3.50 | 2.19 | 2.53 |
| | 4-93270-31 | BK4690 | NEMA 4 | Nodular Iron | 210 | 1.480 | 7.50 | 10.38 | 3.50 | 3.28 | 2.53 |
| 360 | 2-94360-30 | BK4690 | NEMA 2 | Nodular Iron | 240 | 1.840 | 7.13 | 11.44 | 4.25 | 2.94 | 3.65 |
| | 4-94360-31 | BK4690 | NEMA 4 | Nodular Iron | 245 | 1.940 | 7.13 | 11.50 | 4.25 | 4.03 | 3.65 |
| 450 | 2-95450-30 | BK4690 | NEMA 2 | Nodular Iron | 250 | 2.300 | 7.88 | 11.44 | 5.00 | 3.69 | 3.65 |
| | 4-95450-31 | BK4690 | NEMA 4 | Nodular Iron | 255 | 2.400 | 7.88 | 11.50 | 5.00 | 4.78 | 3.65 |



NEMA 4 Hub with seal