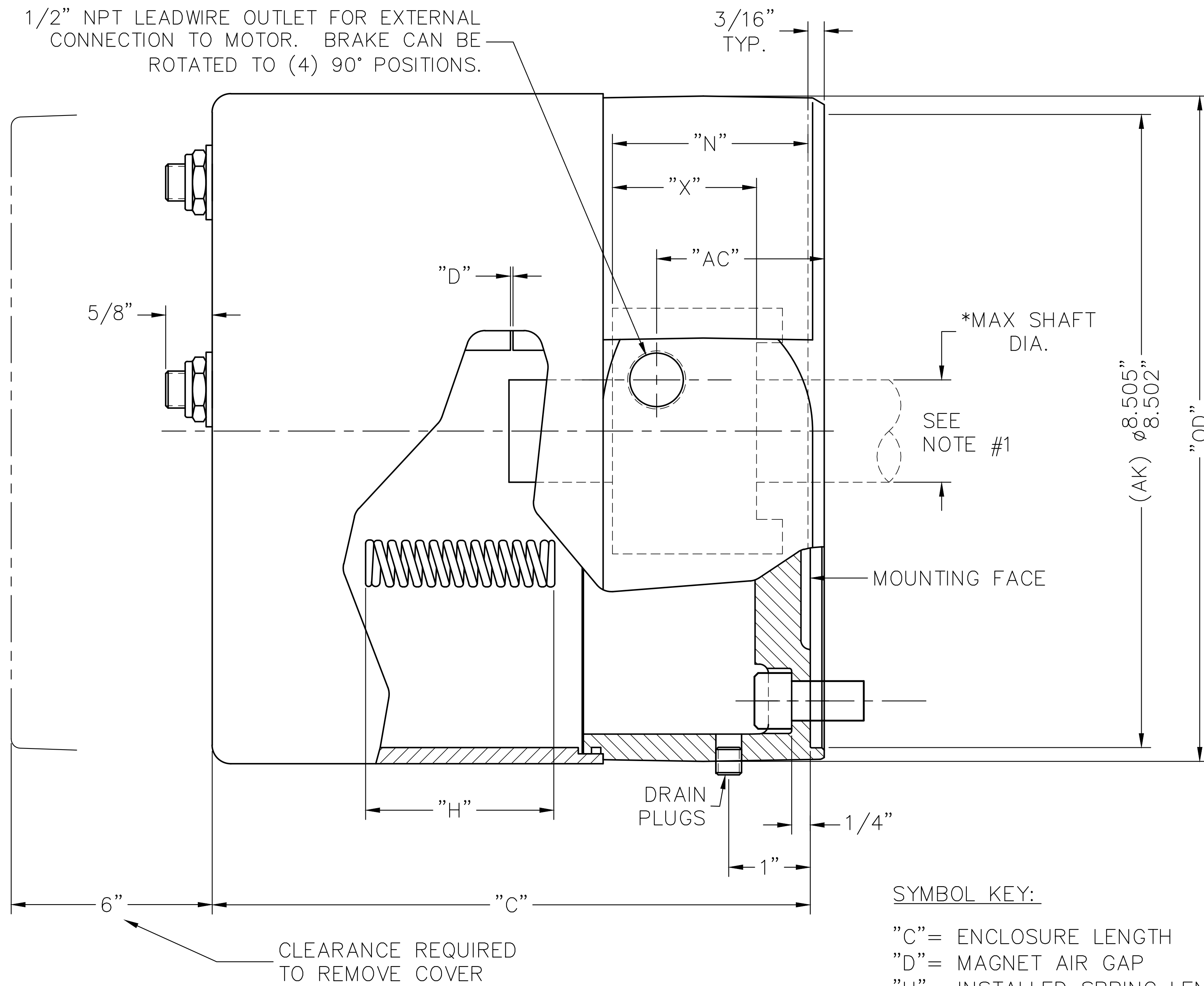


1/2" NPT LEADWIRE OUTLET FOR EXTERNAL CONNECTION TO MOTOR. BRAKE CAN BE ROTATED TO (4) 90° POSITIONS.



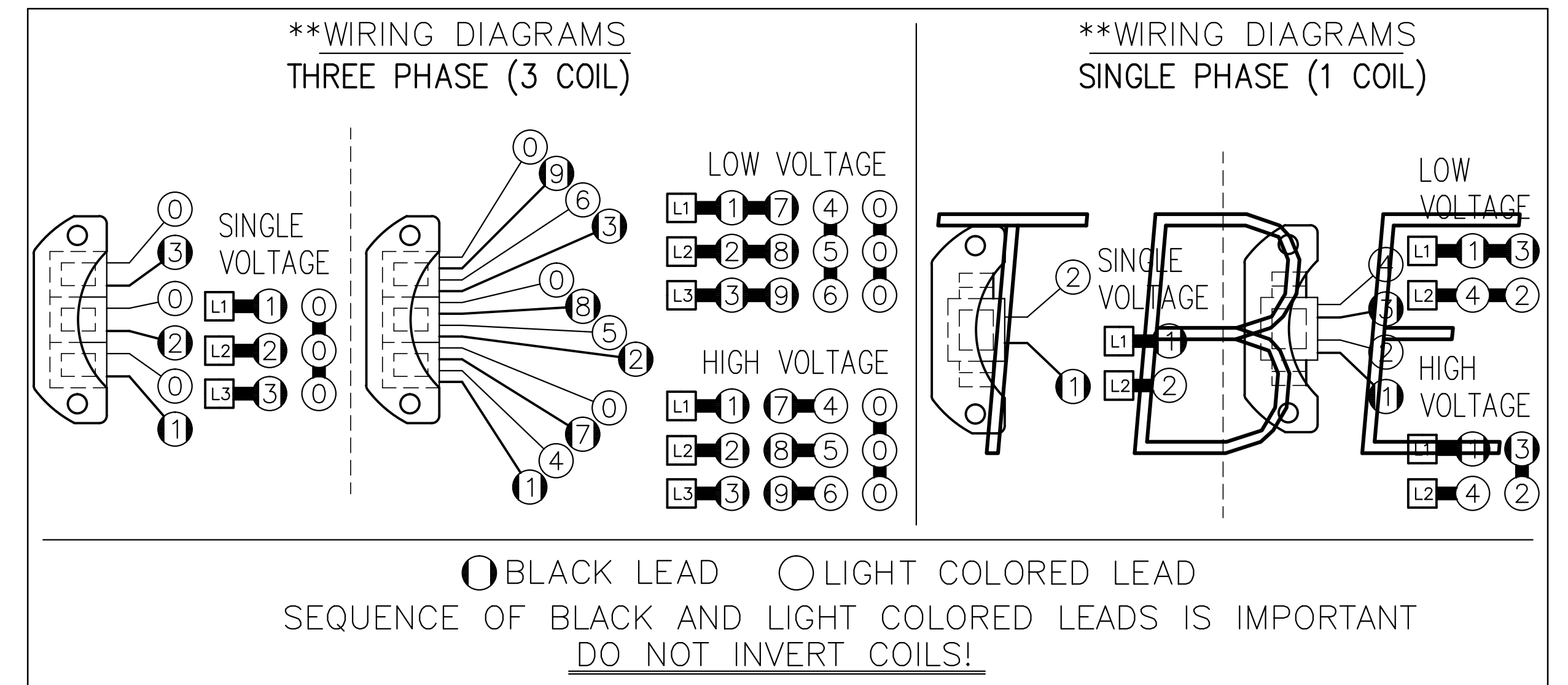
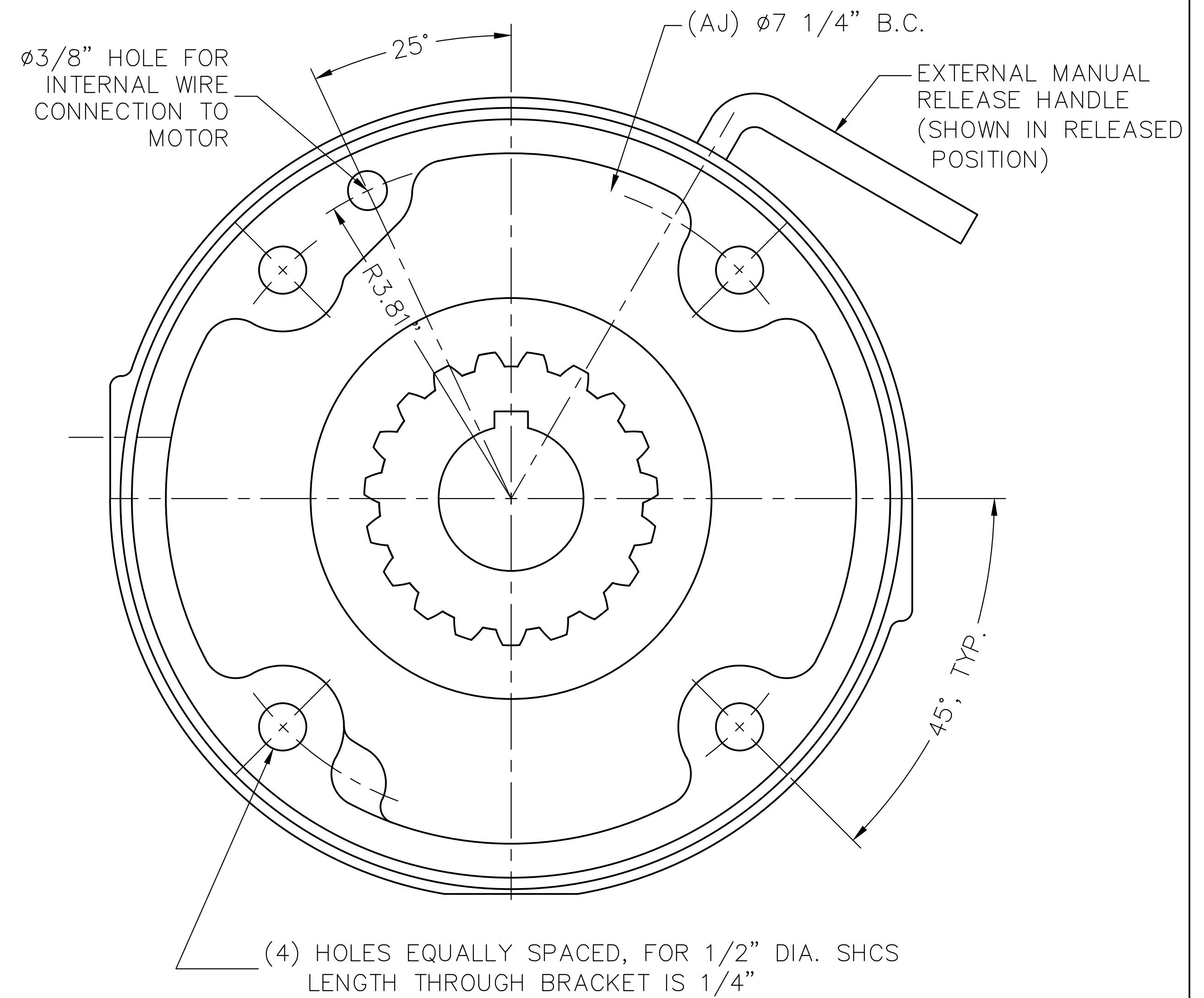
NOTE #1:
THE MAXIMUM SHAFT DIAMETER FOR THIS BRAKE IS $\phi 1-5/8$ " WITH STANDARD KEYWAY. MINIMUM (OR PILOT BORE) DIAMETER IS $\phi 3/4$ ".

SYMBOL KEY:

"C"= ENCLOSURE LENGTH
 "D"= MAGNET AIR GAP
 "H"= INSTALLED SPRING LENGTH
 "N"= HUB LOCATION DIMENSION
 "X"= OVERALL HUB/SHAFT CONTACT LENGTH
 "AC"= EXTERNAL WIRING OUTLET DIMENSION
 "OD"= OUTER DIAMETER

*** CALCULATED USING H070394-001

ENCLOSED HOUSING MODEL	TORQUE LB.FT.	No. OF ROTATING FRICTION DISCS	MAX. RPM	*** THERMAL CAPACITY HPS/MIN.	*** INERTIA WK ² LB.FT. ²	DIMENSIONS						ENCLOSURE MATERIAL		
						"C"	"D" $\pm .005$ MAX. ORIGINAL SETTING	"H"	"N" $\pm 1/32$	"X"	"AC"		"OD"	
71010-EC61	10	1	3600	****	.047	6.91	.100	.040	2.59	1.50	1.00	1.13	9.00	CAST IRON
71015-EC61	15	1	3600	****	.047	6.91	.100	.040	2.41	1.50	1.00	1.13	9.00	CAST IRON
72025-EC61	25	2	3600	****	.075	6.91	.100	.040	2.50	2.00	1.50	1.13	9.00	CAST IRON
72035-EC61	35	2	3600	****	.075	6.91	.100	.040	2.34	2.00	1.50	1.13	9.00	CAST IRON
73050-EC61	50	3	3600	****	.103	7.47	.100	.050	2.34	2.50	2.00	1.69	9.00	CAST IRON
74075-EC61	75	4	3600	****	.130	8.03	.100	.060	2.28	3.00	2.50	2.25	9.00	CAST IRON
74105-EC61	105	4	3600	****	.130	8.03	.100	.060	2.31	3.00	2.50	2.25	9.00	CAST IRON
74125-EC61	125	4	3600	****	.130	8.03	.080	.060	2.19	3.00	2.50	2.25	9.00	CAST IRON



***SEE BULLETIN BK4773 FOR OPERATING, INSTALLATION AND PARTS INSTRUCTIONS

**** CONTACT FACTORY

THIS MATERIAL IS PROPERTY OF DINGS COMPANY. NO RIGHTS ARE GRANTED TO USE SUCH MATERIAL FOR ANY PURPOSE OTHER THAN (1) PRODUCT EVALUATION OR MAINTENANCE OR (2) THE FURNISHING OF SERVICES AND SUPPLIES TO THE DINGS COMPANY.

TITLE: OUTLINE DRAWING, 70 SERIES BRAKE (8700)
 IP56 (NEMA 4) WITHOUT HUB SEAL; (S7EC61)

TOLERANCE UNLESS OTHERWISE NOTED
 .000 \pm FRACTIONS \pm
 .00 ANGLES \pm

DRN BY: JEBr
 DATE: 9-18-13

CHKD BY:
 SCALE: FULL

4740 WEST ELECTRIC AVE.
 MILWAUKEE, WISCONSIN 53219 U.S.A.

DINGS DYNAMICS

DRAWING NO. L070453
 SHEET 1 OF 1

REFER TO CAD FILE: L070453-1

REV	CHG#	DATE	BY	REVISION

TBE