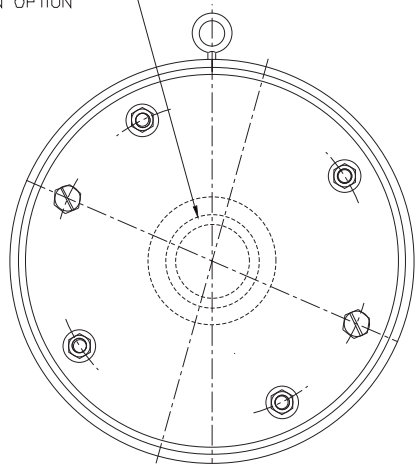
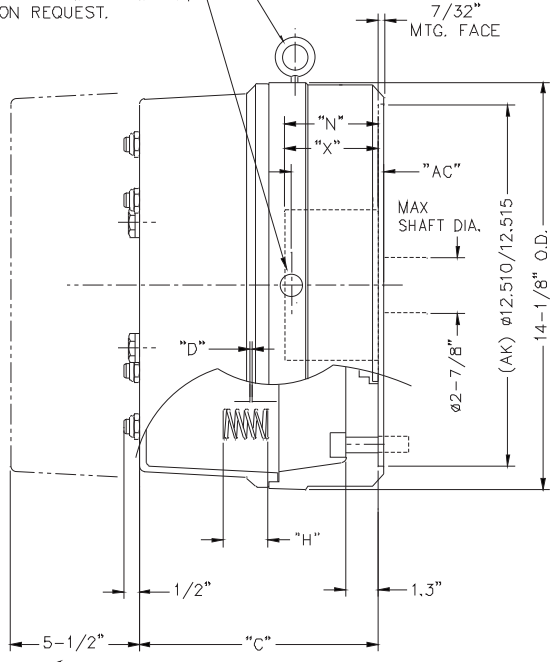


"THROUGH SHAFT"
COVER AVAILABLE AS
AN OPTION

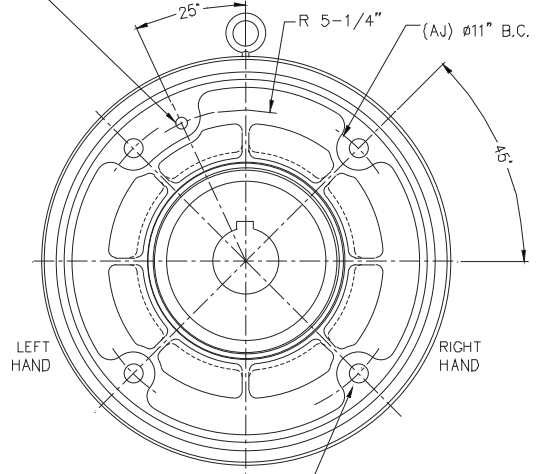


1/2" NPT LEADWIRE OUTLET FOR EXTERNAL
CONNECTION TO MOTOR. LEFT HAND STANDARD;
RIGHT HAND UPON REQUEST.

EYE BOLT
LIFTING LUG



7/32"
MTG. FACE



(4) HOLES, EQUALLY SPACED,
FOR 5/8 DIA. SOC. HD. CAP SCREW.
LENGTH THRU BRACKET = 1.3"

CLEARANCE REQUIRED
TO REMOVE COVER

SYMBOL KEY:
"C" = ENCLOSURE LENGTH
"D" = MAGNET AIR GAP
"H" = INSTALLED SPRING LENGTH
"N" = HUB LOCATION DIMENSION
"X" = OVERALL HUB LENGTH
"AC" = EXTERNAL WIRING OUTLET DIMENSION

**** FOR SMART BRAKE OPTION OUTLINE SEE L090195

MODEL NUMBER	TORQUE LB.FT.	No. OF ROTATING FRICTION DISCS	MAX. RPM	INERTIA WK ² LB.F.T. ²	DIMENSIONS							ENCLOSURE MATERIAL
					"C"	"D" ±.005		"H"	"N" ±1/32	"X"	"AC"	
						MAX.	ORIGINAL SETTING					
92125-50	125	2	2400	1.0	7.66	.080	.035	1.38	2.31	2.31	2.19	CAST IRON
92180-50	180	2	2400	1.0	7.66	.070	.035	1.19	2.31	2.31	2.19	CAST IRON
93230-50	230	3	2400	1.3	8.03	.080	.040	1.31	2.94	2.94	2.19	CAST IRON
93270-50	270	3	2400	1.3	8.03	.070	.040	1.19	2.94	2.94	2.19	CAST IRON
94330-50	330	4	2400	1.6	8.66	.070	.045	1.25	3.56	3.56	3.44	CAST IRON
94360-50	360	4	2400	1.6	8.66	.070	.045	1.19	3.56	3.56	3.44	CAST IRON
95450-50	450	5	2400	1.9	9.28	.070	.050	1.19	4.19	4.19	4.06	CAST IRON

THIS MATERIAL IS PROPERTY OF IDINEX COMPANY. NO RIGHTS ARE GRANTED TO USE SUCH MATERIAL FOR ANY PURPOSE OTHER THAN (1) PRODUCT EVALUATION OR MAINTENANCE OR (2) THE FURNISHING OF SERVICES AND SUPPLIES TO THE IDINEX COMPANY.

OUTLINE DRAWING, 90 SERIES BRAKE, NEMA 2
New90 (S9050)

TOLERANCES UNLESS OTHERWISE NOTED
DIM ± .005 FRACTIONS ± .005
DIM ± .010 DECIMALS
DIM ± .015 HOLE DIA.

DATE: 5-8-06
SCALE: 1/2"=1"

DRIVING IN: L090174
SHEET NO: 1 of 1

B	2751	6-16-15	DBV	NEED ENGINEER SIGN/OVER	TC DW
A	2656	11-19-13	DBV	NEED 3 DESK: KELS-TI, N, & D DIMS	REVISED
REV	DATE	BY	REVISION	CAD FILE: L090174-1-B	