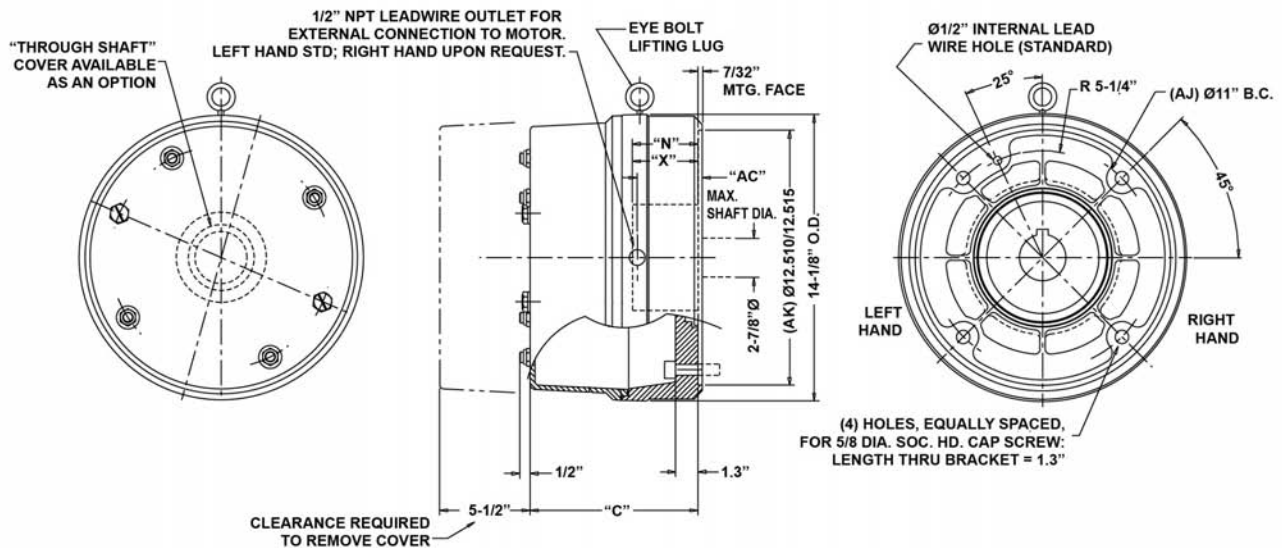


Torque lb-ft	Model #	Instructions and Parts Manual	Enclosure	Construction	Wt. Lbs.	Inertia Wk ² Lb-Ft ²	Dimensions in inches				List Price
							C	N Hub Location	X Hub Length	AC Lead Outlet	
125	92125-50	BK4699	NEMA 2	Cast Iron	126	1.0	7.88	2.31	2.31	2.19	\$
	92125-51	BK4696	NEMA 4	Cast Iron	128	1.0	7.88	2.31	2.31	2.19	\$
180	92180-50	BK4699	NEMA 2	Cast Iron	126	1.0	7.88	2.31	2.31	2.19	\$
	92180-51	BK4696	NEMA 4	Cast Iron	128	1.0	7.88	2.31	2.31	2.19	\$
230	93230-50	BK4699	NEMA 2	Cast Iron	139	1.3	8.25	2.94	2.94	2.19	\$
	93230-51	BK4696	NEMA 4	Cast Iron	139	1.3	8.25	2.94	2.94	2.19	\$
270	93270-50	BK4699	NEMA 2	Cast Iron	139	1.3	8.25	2.94	2.94	2.19	\$
	93270-51	BK4696	NEMA 4	Cast Iron	139	1.3	8.25	2.94	2.94	2.19	\$
330	94330-50	BK4699	NEMA 2	Cast Iron	147	1.6	8.88	3.56	3.56	3.44	\$
	94330-51	BK4696	NEMA 4	Cast Iron	149	1.6	8.88	3.56	3.56	3.44	\$
360	94360-50	BK4699	NEMA 2	Cast Iron	147	1.6	8.88	3.56	3.56	3.44	\$
	94360-51	BK4696	NEMA 4	Cast Iron	149	1.6	8.88	3.56	3.56	3.44	\$

OUTLINE DRAWING, NEMA 2 ENCLOSURE



OUTLINE DRAWING, NEMA 4 ENCLOSURE

